

## Flat knurled screws

Steel / Stainless Steel, with MS- / KU- pivot

### SPECIFICATION

#### Version in Steel ST

- Tensile strength class 5
- visible face fine turned
- blackened

#### Version in Stainless Steel AISI 303 NI

- visible face fine turned
- matt shot-blasted

Pivot

Brass **MS**

Plastic (Polyacetal POM) **KU**

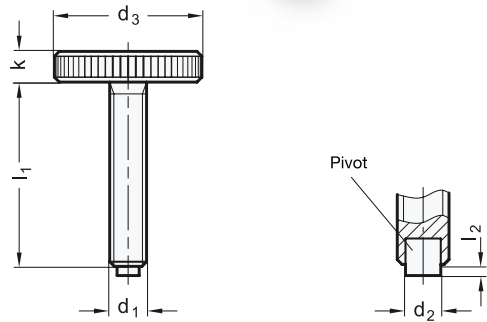
### INFORMATION

Flat knurled screws GN 653.10 with pivots in brass or plastic are used in applications, where marks and damages on the workpiece are unacceptable.

The head dimensions comply with flat knurled screws DIN 653 (see page 271).

### TECHNICAL INFORMATION

- Stainless Steel characteristics (see page A26)



### GN 653.10

Description	d1	li-1	l2	d2	d3	k	🔗
GN 653.10-M5-12-ST-KU	M 5	12	1	3	20	4	11
GN 653.10-M5-12-ST-MS	M 5	12	0.5	3	20	4	11
GN 653.10-M5-16-ST-KU	M 5	16	1	3	20	4	11
GN 653.10-M5-16-ST-MS	M 5	16	0.5	3	20	4	12
GN 653.10-M5-20-ST-KU	M 5	20	1	3	20	4	12
GN 653.10-M5-20-ST-MS	M 5	20	0.5	3	20	4	12
GN 653.10-M5-25-ST-KU	M 5	25	1	3	20	4	12
GN 653.10-M5-25-ST-MS	M 5	25	0.5	3	20	4	12
GN 653.10-M6-12-ST-KU	M 6	12	1.3	3.5	24	5	19
GN 653.10-M6-12-ST-MS	M 6	12	1	4	24	5	19
GN 653.10-M6-16-ST-KU	M 6	16	1.3	3.5	24	5	19
GN 653.10-M6-16-ST-MS	M 6	16	1	4	24	5	19
GN 653.10-M6-20-ST-KU	M 6	20	1.3	3.5	24	5	20
GN 653.10-M6-20-ST-MS	M 6	20	1	4	24	5	20
GN 653.10-M6-25-ST-KU	M 6	25	1.3	3.5	24	5	21
GN 653.10-M6-25-ST-MS	M 6	25	1	4	24	5	21
GN 653.10-M6-30-ST-KU	M 6	30	1.3	3.5	24	5	22
GN 653.10-M6-30-ST-MS	M 6	30	1	4	24	5	22
GN 653.10-M8-16-ST-KU	M 8	16	1.6	5	30	6	36
GN 653.10-M8-16-ST-MS	M 8	16	1.5	6	30	6	36
GN 653.10-M8-20-ST-KU	M 8	20	1.6	5	30	6	38
GN 653.10-M8-20-ST-MS	M 8	20	1.5	6	30	6	38
GN 653.10-M8-25-ST-KU	M 8	25	1.6	5	30	6	39
GN 653.10-M8-25-ST-MS	M 8	25	1.5	6	30	6	39
GN 653.10-M8-30-ST-KU	M 8	30	1.6	5	30	6	40
GN 653.10-M8-30-ST-MS	M 8	30	1.5	6	30	6	40
GN 653.10-M8-40-ST-KU	M 8	40	1.6	5	30	6	43
GN 653.10-M8-40-ST-MS	M 8	40	1.5	6	30	6	43

### GN 653.10-NI

### STAINLESS STEEL

Description	d1	li-1	l2	d2	d3	k	🔗
GN 653.10-M5-12-NI-KU	M 5	12	1	3	20	4	11
GN 653.10-M5-12-NI-MS	M 5	12	0.5	3	20	4	11
GN 653.10-M5-16-NI-KU	M 5	16	1	3	20	4	11
GN 653.10-M5-16-NI-MS	M 5	16	0.5	3	20	4	12
GN 653.10-M5-20-NI-KU	M 5	20	1	3	20	4	12
GN 653.10-M5-20-NI-MS	M 5	20	0.5	3	20	4	12
GN 653.10-M5-25-NI-KU	M 5	25	1	3	20	4	12
GN 653.10-M5-25-NI-MS	M 5	25	0.5	3	20	4	12
GN 653.10-M6-12-NI-KU	M 6	12	1.3	3.5	24	5	19
GN 653.10-M6-12-NI-MS	M 6	12	1	4	24	5	19
GN 653.10-M6-16-NI-KU	M 6	16	1.3	3.5	24	5	20
GN 653.10-M6-16-NI-MS	M 6	16	1	4	24	5	20
GN 653.10-M6-20-NI-KU	M 6	20	1.3	3.5	24	5	20
GN 653.10-M6-20-NI-MS	M 6	20	1	4	24	5	20
GN 653.10-M6-25-NI-KU	M 6	25	1.3	3.5	24	5	21
GN 653.10-M6-25-NI-MS	M 6	25	1	4	24	5	21
GN 653.10-M6-30-NI-KU	M 6	30	1.3	3.5	24	5	22
GN 653.10-M6-30-NI-MS	M 6	30	1	4	24	5	22
GN 653.10-M8-16-NI-KU	M 8	16	1.6	5	30	6	36
GN 653.10-M8-16-NI-MS	M 8	16	1.5	6	30	6	37
GN 653.10-M8-20-NI-KU	M 8	20	1.6	5	30	6	37
GN 653.10-M8-20-NI-MS	M 8	20	1.5	6	30	6	38
GN 653.10-M8-25-NI-KU	M 8	25	1.6	5	30	6	39
GN 653.10-M8-25-NI-MS	M 8	25	1.5	6	30	6	40
GN 653.10-M8-30-NI-KU	M 8	30	1.6	5	30	6	40
GN 653.10-M8-30-NI-MS	M 8	30	1.5	6	30	6	41
GN 653.10-M8-40-NI-KU	M 8	40	1.6	5	30	6	43
GN 653.10-M8-40-NI-MS	M 8	40	1.5	6	30	6	43



Clamping knobs 2